

D15-2



DEEP SUCTION CUP

- ▶ Suitable for objects with curved or irregular surfaces.
- ▶ Grips around corners and edges.

LIFTING FORCES & TECHNICAL DATA

Lifting force vertical to the surface, N, at vacuum level			Lifting force parallel to the surface, N, at vacuum level			Volume cm ³	Min. curve radius mm	Max. vertical movement mm	Weight rubber part g
20 -kPa	60 -kPa	90 -kPa	20 -kPa	60 -kPa	90 -kPa				
2.9	7.8	11.0	—	—	—	0.9	6.0	3.0	1.2

MATERIAL SPECIFICATIONS

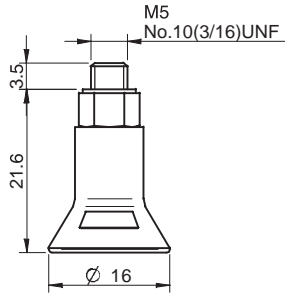
Material	Colour	Hardness °Shore A	Temperature range °C
Chloroprene, CR	Black	50	-40–110
Silicone, SIL	Red	50	-40–200

MATERIAL RESISTANCE

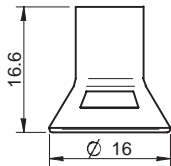
Material	Wear resistance	Oil	Weather & ozone	Hydrolysis	Petrol	Concentrated acids	Alcohol	Oxidation
Chloroprene, CR	Excellent	Fair	Good	Good	Fair	Poor	Good	Good
Silicone, SIL	Good	Poor	Excellent	Fair	Poor	Poor	Good	Excellent

ORDERING INFORMATION

Complete suction cups	Art. No.
Suction cup D15-2 Chloroprene, M5 male	3150010
Suction cup D15-2 Silicone, M5 male	3150010S



Rubber parts	Art. No.
Suction cup D15-2 Chloroprene	3150135
Suction cup D15-2 Silicone	3150135S



Fittings	Art. No.
Fitting M5 male	3107030

For further information and dimensioned drawings, see *SUCTION CUPS FITTINGS* chapter.

D20-2



DEEP SUCTION CUP

- ▶ Suitable for objects with curved or irregular surfaces.
- ▶ Grips around corners and edges.

LIFTING FORCES & TECHNICAL DATA

Lifting force vertical to the surface, N, at vacuum level			Lifting force parallel to the surface, N, at vacuum level			Volume	Min. curve radius	Max. vertical movement	Weight rubber part
20 -kPa	60 -kPa	90 -kPa	20 -kPa	60 -kPa	90 -kPa	cm ³	mm	mm	g
5.9	15.0	18.0	—	—	—	2.5	8.0	4.5	2.2

MATERIAL SPECIFICATIONS

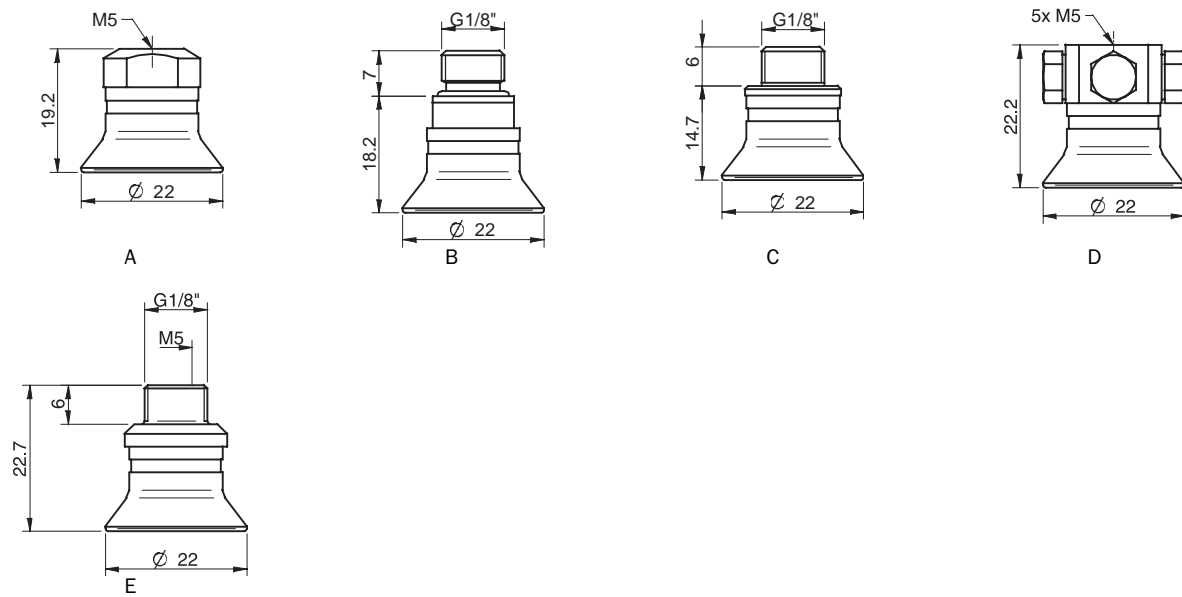
Material	Colour	Hardness °Shore A	Temperature range °C
Chloroprene, CR	Black	50	-40-110
Silicone, SIL	Red	50	-40-200

MATERIAL RESISTANCE

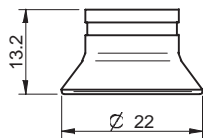
Material	Wear resistance	Oil	Weather & ozone	Hydrolysis	Petrol	Concentrated acids	Alcohol	Oxidation
Chloroprene, CR	Excellent	Fair	Good	Good	Fair	Poor	Good	Good
Silicone, SIL	Good	Poor	Excellent	Fair	Poor	Poor	Good	Excellent

ORDERING INFORMATION

	Complete suction cups	Art. No.
A	Suction cup D20-2 Chloroprene, M5 female	0101215
A	Suction cup D20-2 Chloroprene, M5 female, with dual flow control valve	0101221
B	Suction cup D20-2 Chloroprene, G1/8" male, with mesh filter	0101216
B	Suction cup D20-2 Chloroprene, G1/8" male, with mesh filter and dual flow control valve	0101222
C	Suction cup D20-2 Chloroprene, G1/8" male/M5 female, with mesh filter	0101220
C	Suction cup D20-2 Chloroprene, G1/8" male/M5 female, with dual flow control valve	0101224
D	Suction cup D20-2 Chloroprene, 5xM5 female	0101219
D	Suction cup D20-2 Chloroprene, 5xM5 female, with dual flow control valve	0101225
A	Suction cup D20-2 Silicone, M5 female	0101226
A	Suction cup D20-2 Silicone, M5 female, with dual flow control valve	0101232
B	Suction cup D20-2 Silicone, G1/8" male, with mesh filter	0101227
B	Suction cup D20-2 Silicone, G1/8" male, with mesh filter and dual flow control valve	0101233
C	Suction cup D20-2 Silicone, G1/8" male/M5 female, with mesh filter	0101231
C	Suction cup D20-2 Silicone, G1/8" male/M5 female, with dual flow control valve	0101235
D	Suction cup D20-2 Silicone, 5xM5 female	0101230
D	Suction cup D20-2 Silicone, 5xM5 female, with dual flow control valve	0101236
E	Suction cup D20-2 Chloroprene, G1/8" male/M5 female, PA	0110947
E	Suction cup D20-2 Silicone, G1/8" male/M5 female, PA	0110331



Rubber parts	Art. No.
Suction cup D20-2 Chloroprene	0101123
Suction cup D20-2 Silicone	0101124



Fittings	Art. No.
Fitting M5 female	3250003
Fitting M5 female, with dual flow control valve	3251001
Fitting G1/8" male, with mesh filter	3250085
Fitting G1/8" male, with mesh filter and dual flow control valve	3251002
Fitting G1/8" male/M5 female, with mesh filter	0101152
Fitting G1/8" male/M5 female, with dual flow control valve	3251004
Fitting 5xM5 female	0100260
Fitting 5xM5 female, with dual flow control valve	3251005
Fitting G1/8" male/M5 female, PA	3150196

For further information and dimensioned drawings, see SUCTION CUPS FITTINGS chapter.

D30-2



DEEP SUCTION CUP

- ▶ Suitable for objects with curved or irregular surfaces.
- ▶ Grips around corners and edges.

LIFTING FORCES & TECHNICAL DATA

Lifting force vertical to the surface, N, at vacuum level			Lifting force parallel to the surface, N, at vacuum level			Volume	Min. curve radius	Max. vertical movement	Weight rubber part
20 -kPa	60 -kPa	90 -kPa	20 -kPa	60 -kPa	90 -kPa	cm ³	mm	mm	g
14.0	26	31	—	—	—	5.0	13	5.0	4.0

MATERIAL SPECIFICATIONS

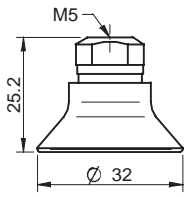
Material	Colour	Hardness °Shore A	Temperature range °C
Chloroprene, CR	Black	50	-40-110
Silicone, SIL	Red	50	-40-200

MATERIAL RESISTANCE

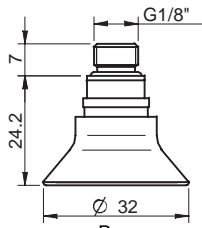
Material	Wear resistance	Oil	Weather & ozone	Hydrolysis	Petrol	Concentrated acids	Alcohol	Oxidation
Chloroprene, CR	Excellent	Fair	Good	Good	Fair	Poor	Good	Good
Silicone, SIL	Good	Poor	Excellent	Fair	Poor	Poor	Good	Excellent

ORDERING INFORMATION

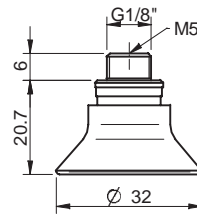
	Complete suction cups	Art. No.
A	Suction cup D30-2 Chloroprene, M5 female	0101237
A	Suction cup D30-2 Chloroprene, M5 female, with dual flow control valve	0101243
B	Suction cup D30-2 Chloroprene, G1/8" male, with mesh filter	0101238
B	Suction cup D30-2 Chloroprene, G1/8" male, with mesh filter and dual flow control valve	0101244
C	Suction cup D30-2 Chloroprene, G1/8" male/M5 female, with mesh filter	0101242
C	Suction cup D30-2 Chloroprene, G1/8" male/M5 female, with dual flow control valve	0101246
D	Suction cup D30-2 Chloroprene, 5xM5 female	0101241
D	Suction cup D30-2 Chloroprene, 5xM5 female, with dual flow control valve	0101247
A	Suction cup D30-2 Silicone, M5 female	0101248
A	Suction cup D30-2 Silicone, M5 female, with dual flow control valve	0101254
B	Suction cup D30-2 Silicone, G1/8" male, with mesh filter	0101249
B	Suction cup D30-2 Silicone, G1/8" male, with mesh filter and dual flow control valve	0101255
C	Suction cup D30-2 Silicone, G1/8" male/M5 female, with mesh filter	0101253
C	Suction cup D30-2 Silicone, G1/8" male/M5 female, with dual flow control valve	0101257
D	Suction cup D30-2 Silicone, 5xM5 female	0101252
D	Suction cup D30-2 Silicone, 5xM5 female, with dual flow control valve	0101258
E	Suction cup D30-2 Chloroprene, G1/8" male/M5 female, PA	0110945
E	Suction cup D30-2 Silicone, G1/8" male/M5 female, PA	0110332



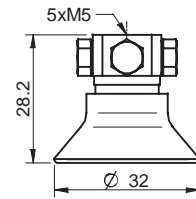
A



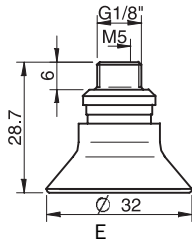
B



C

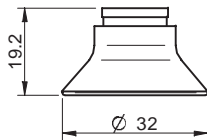


D



E

Rubber parts		Art. No.
Suction cup D30-2 Chloroprene		0101125
Suction cup D30-2 Silicone		0101126



Fittings	Art. No.
Fitting M5 female	3250003
Fitting M5 female, with dual flow control valve	3251001
Fitting G1/8" male, with mesh filter	3250085
Fitting G1/8" male, with mesh filter and dual flow control valve	3251002
Fitting G1/8" male/M5 female, with mesh filter	0101152
Fitting G1/8" male/M5 female, with dual flow control valve	3251004
Fitting 5xM5 female	0100260
Fitting 5xM5 female, with dual flow control valve	3251005
Fitting G1/8" male/M5 female, PA	3150196

For further information and dimensioned drawings, see SUCTION CUPS FITTINGS chapter.

D50



DEEP SUCTION CUP

- ▶ Suitable for objects with curved or irregular surfaces.
- ▶ Grips around corners and edges.

LIFTING FORCES & TECHNICAL DATA

Lifting force vertical to the surface, N, at vacuum level			Lifting force parallel to the surface, N, at vacuum level			Volume	Min. curve radius	Max. vertical movement	Weight rubber part
20 -kPa	60 -kPa	90 -kPa	20 -kPa	60 -kPa	90 -kPa	cm ³	mm	mm	g
36	78	98	—	—	—	15	25	10	18

MATERIAL SPECIFICATIONS

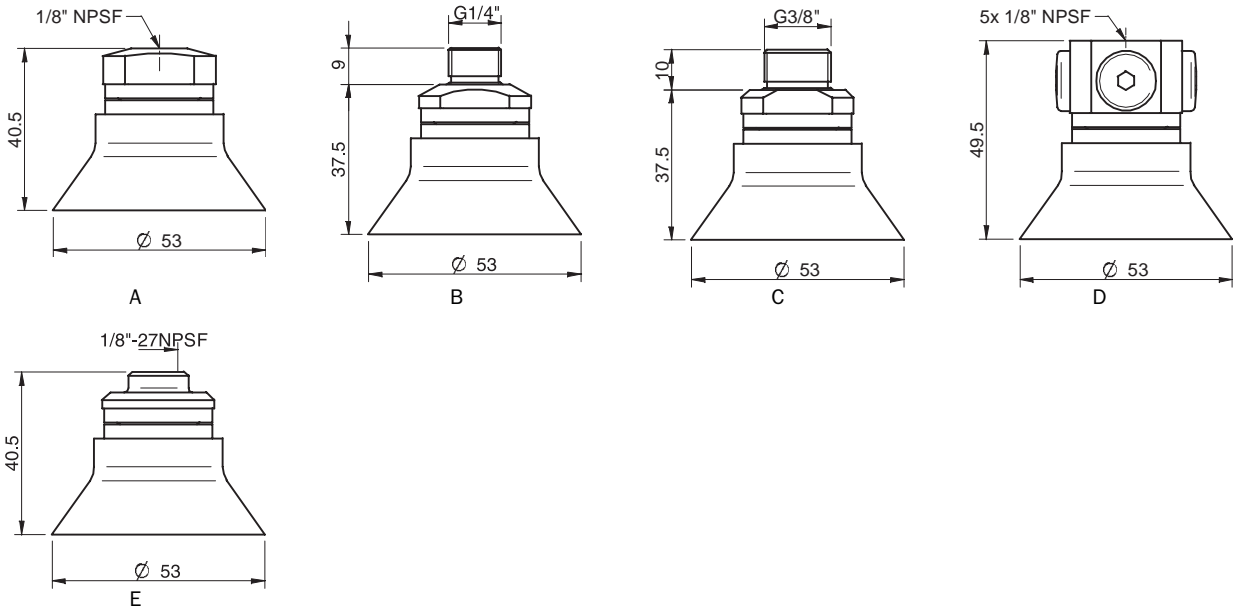
Material	Colour	Hardness °Shore A	Temperature range °C
Chloroprene, CR	Black	50	-40-110
Silicone, SIL	Red	50	-40-200

MATERIAL RESISTANCE

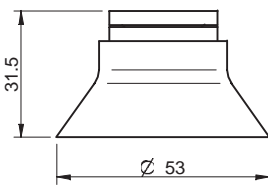
Material	Wear resistance	Oil	Weather & ozone	Hydrolysis	Petrol	Concentrated acids	Alcohol	Oxidation
Chloroprene, CR	Excellent	Fair	Good	Good	Fair	Poor	Good	Good
Silicone, SIL	Good	Poor	Excellent	Fair	Poor	Poor	Good	Excellent

ORDERING INFORMATION

	Complete suction cups	Art. No.
A	Suction cup D50 Chloroprene, 1/8"NPSF female, with mesh filter	0101727
A	Suction cup D50 Chloroprene, 1/8"NPSF female, with dual flow control valve	0101728
B	Suction cup D50 Chloroprene, G1/4" male, with mesh filter	0101722
B	Suction cup D50 Chloroprene, G1/4" male, with mesh filter and dual flow control valve	0101729
C	Suction cup D50 Chloroprene, G3/8" male, with mesh filter	0101724
C	Suction cup D50 Chloroprene, G3/8" male, with mesh filter and dual flow control valve	0101731
D	Suction cup D50 Chloroprene, 5x1/8"NPSF female	0101726
D	Suction cup D50 Chloroprene, 5x1/8"NPSF female, with dual flow control valve	0101733
A	Suction cup D50 Silicone, 1/8"NPSF female, with mesh filter	0101740
A	Suction cup D50 Silicone, 1/8"NPSF female, with dual flow control valve	0101741
B	Suction cup D50 Silicone, G1/4" male, with mesh filter	0101735
B	Suction cup D50 Silicone, G1/4" male, with mesh filter and dual flow control valve	0101742
C	Suction cup D50 Silicone, G3/8" male, with mesh filter	0101737
C	Suction cup D50 Silicone, G3/8" male, with mesh filter and dual flow control valve	0101744
D	Suction cup D50 Silicone, 5x1/8"NPSF female	0101739
D	Suction cup D50 Silicone, 5x1/8"NPSF female, with dual flow control valve	0101746
E	Suction cup D50 Chloroprene, 1/8"NPSF female, PA	0109841
E	Suction cup D50 Silicone, 1/8"NPSF female, PA	0110333



Rubber parts	Art. No.
Suction cup D50 Chloroprene	0101127
Suction cup D50 Silicone	0101128



Fittings	Art. No
Fitting 1/8"NPSF female, with mesh filter	0101154
Fitting 1/8"NPSF female, with dual flow control valve	3251012
Fitting G1/4" male, with mesh filter	3250092
Fitting G1/4" male, with mesh filter and dual flow control valve	3251013
Fitting G3/8" male, with mesh filter	3250087
Fitting G3/8" male, with mesh filter and dual flow control valve	3251015
Fitting 5x1/8"NPSF female	0100262
Fitting 5x1/8"NPSF female, with dual flow control valve	3251017
Fitting 1/8"NPSF female, PA	3150198

For further information and dimensioned drawings, see SUCTION CUPS FITTINGS chapter.